

**DINGLI**

# GTWY11-2100

**PUSH AROUND VERTICAL LIFT - DUAL MAST**



## Standard Equipment

- Cylinder Holding Valve
- Emergency Stop Button
- Two Controllers Operation
- Emergency Lowering System
- Leveling Sensor
- Forklift Pockets
- All Motion Alarm
- Deadman Switch
- Transport Tie Hole
- Battery Charge Indicator
- Electric Limit Switch
- Swing Outriggers With Interlock
- Onboard Diagnostic System
- Flashing Beacon

## Options

- AC Power to Platform
- Overload Sensor With Alarm

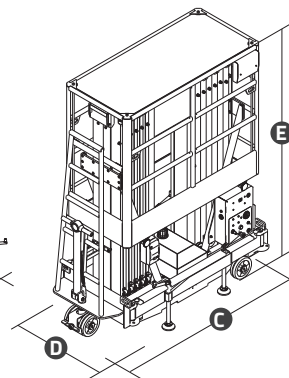
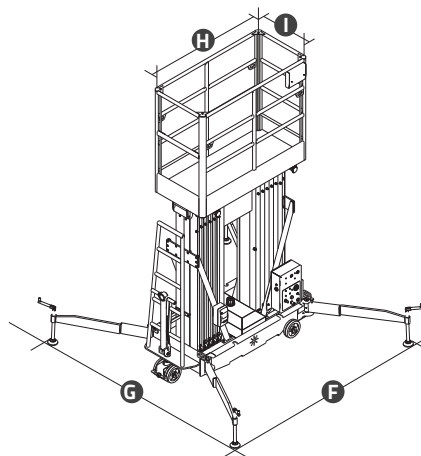
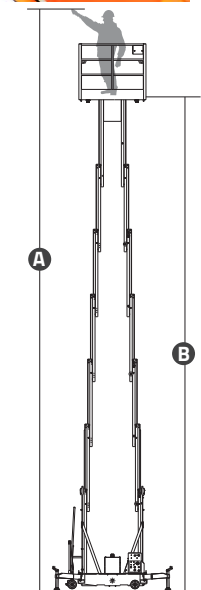


**DINGLI**

# GTWY11-2100

**PUSH AROUND VERTICAL LIFT - DUAL MAST**

Model	GTWY9.5-2100	GTWY11-2100	GTWY12.5-2100	GTWY14-2100
S.W.L	300kg	300kg	250kg	200kg
Max. Occupants	2	2	2	2
Max. Working Height <b>A</b>	9.50m	11.00m	12.50m	14.00m
Max. Platform Height <b>B</b>	7.50m	9.00m	10.50m	12.00m
Overall Length (Stowed) <b>C</b>	1.56m	1.70m	1.70m	1.70m
Overall Width (Stowed) <b>D</b>	0.81m	0.81m	0.81m	0.81m
Overall Height (Stowed) <b>E</b>	1.99m	1.99m	1.99m	2.37m
Outrigger Footprint <b>F/G</b>	1.76/1.66m	2.31/2.39m	2.31/2.39m	2.31/2.39m
Platform Size Length <b>H</b> × Width <b>I</b>	1.27×0.65m	1.39×0.65m	1.39×0.65m	1.39×0.65m
Ground Clearance	0.055m	0.055m	0.055m	0.055m
Lifting Motor - AC	220VAC/1.5kW	220VAC/1.5kW	220VAC/1.5kW	220VAC/1.5kW
Lifting Motor - DC	12VDC/2.5kW	12VDC/2.5kW	12VDC/2.5kW	12VDC/2.5kW
Up/Down Speed	55/30sec	62/32sec	62/34sec	75/40sec
Batteries	2×12V/85Ah	2×12V/85Ah	2×12V/85Ah	2×12V/85Ah
Integrated Charger	12V/15A	12V/15A	12V/15A	12V/15A
Tyres (Back Wheels)	7in	7in	7in	7in
Tyres (Front Wheels)	7in	7in </td <td>7in</td> <td>7in</td>	7in	7in
Weight - AC	630kg	780kg	820kg	1020kg
Weight - DC	690kg	840kg	880kg	1080kg



Delivering Safety &amp; Productivity

Chennai | Bengaluru | Mumbai | Ahmedabad | Delhi | Kolkata | Sri Lanka | Qatar

equipment@mtandt.com

90901 01065

www.mtandt.com